

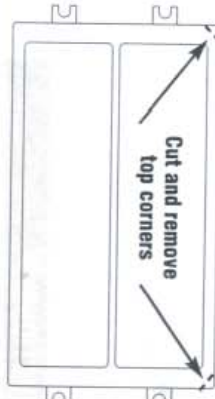


VEHICLE APPLICATIONS *Fits oversized Delco Radio dash opening only

Buick						
1997-05	CENTURY					
1995-05	LA SABRE					
1995-05	PARK AVE					
2004-05	RAINIER					
1995-04	REGAL					
2002-05	RENDEZVOUS					
1996-99	RIVIERA					
1995-96	ROADMASTER					
1996-98	SKYLARK					
Cadillac						
1990-96	FLEETWOOD					
	BROUGHAM					
1992-95	EL DORADO					
2003-05	ESCALADE					
1992-95	SEVILLE					
Chevrolet						
2003-05	AVALANCHE					
2002	*BLAZER					
2003-04	BLAZER					
2000-05	CAVALIER					
2004-05	COLORADO					
2001-05	EXPRESS VAN					
2000-05	IMPALA					
2000-03	MALIBU					
1998-01	METRO					
2000-05	MONTE CARLO					
2004-05	SSR					
2002	*S-10 P/U					
Chevrolet Cont.						
2002-04	S-10 P/U					
2003-05	SILVERADO					
2003-05	SUBURBAN					
2003-05	TAHOE					
1998-04	TRACKER					
2002-05	TRAILBLAZER					
2000-05	VENTURE					
Geo						
1995-97	METRO					
GMC						
2004-05	CANYON					
2002-05	ENVOY					
2002	*JIMMY					
2002-04	JIMMY					
2001-04	SAVANA VAN					
2003-05	SIERRA					
2002	*SONOMA					
2003-04	SONOMA					
2003-05	YUKON					
2003-05	XL					
Honda						
1998-02	PASSPORT					
Hummer						
2003-04	H2					
Isuzu						
1998-00	AMIGO					
2003	ASCENDER					
1998-02	RODEO					
Oldsmobile						
1996-98	ACHIEVA					
1999-04	ALERO					
1995-03	AURORA					
1998-04	BRAVADA					
1995-99	CUTLASS/SUPREME					
1994-99	DELTA 88/ROYALE					
1998-02	INTRIGUE					
1996-99	LSS					
1994-96	NINETY-EIGHT					
2000-04	SILOUETTE					
Pontiac						
2001-05	AZTEK					
2000-04	BONNEVILLE					
2001-03	GRAND AM					
2000-05	SUNFIRE					
2000-04	MONTANA					
2003-04	VIBE					
Suzuki						
2002	AERIO					
1992-98	SIDEKICK					
1998-02	ESTEEM					
1999-02	GRAND VITARA					
1995-02	SWIFT					
1999-03	VITARA					
2002	XL-7					
Toyota						
2003-04	MATRIX					

1. Open ashtray and remove ashtray cup.
2. Remove (1) phillips screw from rear of ashtray cavity.
3. Carefully unclip trim bezel from around radio/lighter assembly.
4. Disconnect wire harness from lighter and remove trim assembly.
5. Remove the (4) phillips screws securing radio to subdash.
6. Pull radio forward, disconnect the wire harness and antenna lead and remove radio.

FIG. C

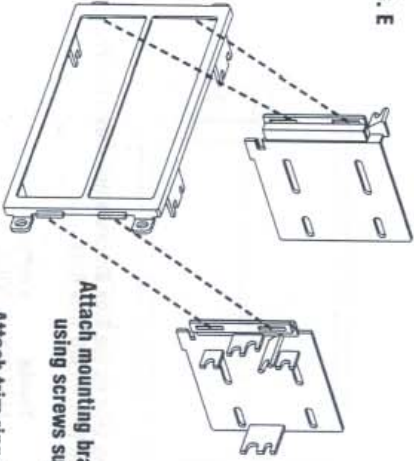


****Remove all mounting tabs on the Side Brackets not shown above.
 Remove all mounting Tabs on ISO Trim Ring**

Honda
 PASSPORT

Isuzu
 AMIGO
 RODECO

FIG. E

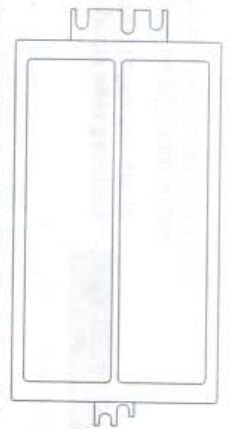


Attach mounting brackets to radio components using screws supplied with kit or radio

Attach trim ring to brackets before tightening radio mounting brackets

SIDE BRACKET PREPARATION

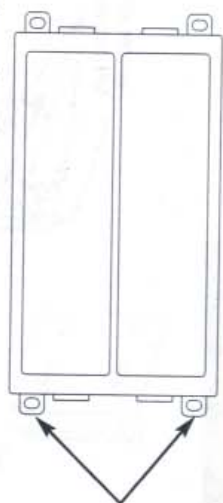
FIG. A



****Remove all mounting tabs on the Side Brackets not shown above.
 Remove all mounting Tabs on ISO Trim Ring**

- | | | | | | | | |
|---|-----------------------------|---|--|---|---------------------|--|---|
| Buick
CENTURY
LA SABRE
PARK AVE
REGAL
REGENCY
RENDEZVOUS
RIVIERA
ROADMASTER
SKYLARK | Cadillac
ESCALADE | Chevrolet
BLAZER
CAVALLER
COLORADO
EXPRESS VAN
IMPALA
MALIBU
MONTE CARLO
S-10 P/U
SILVERADO | Suburban
SSR
TAHOE
VENTURE | GMC
CANYON
ENVOY
JIMMY
SIERRA
YUKON
XL | Hummer
H2 | Isuzu
ASCENDER
Oldsmobile
ACHIEVA
ALERO
AURORA
BRAVADA
OUTLASSUPREME
DELTA | 88/ROYALE
INTRIGUE
LSS
NINETY-EIGHT
SILOUETTE
Pontiac
AZTEK
BONNEVILLE
GRAND AM
MONTANA
SUNFIRE |
|---|-----------------------------|---|--|---|---------------------|--|---|

FIG. B



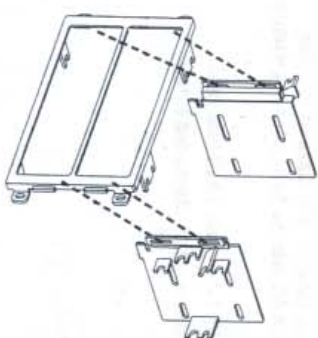
****Remove all mounting tabs on the Side Brackets**

- | | | |
|--------------------------------------|---|--|
| Chevy/GEO
METRO
TRACKER | Suzuki
AERIO
ESTEEM
SIDEKICK
SWIFT | GRAND
VITARA
VITARA
XL-7 |
|--------------------------------------|---|--|

Do not remove these mounting tabs from ISO trim ring

Attach mounting brackets to radio components using screws supplied with kit or radio

Attach trim ring to brackets before tightening radio mounting brackets



For All Vehicles Not Listed Below

- 1998-02 Honda Passport
- 1998-00 Isuzu Amigo
- 1998-02 Isuzu Rodeo

Attach mounting brackets to radio components using screws supplied with kit or radio

Attach trim ring to brackets before tightening radio mounting brackets

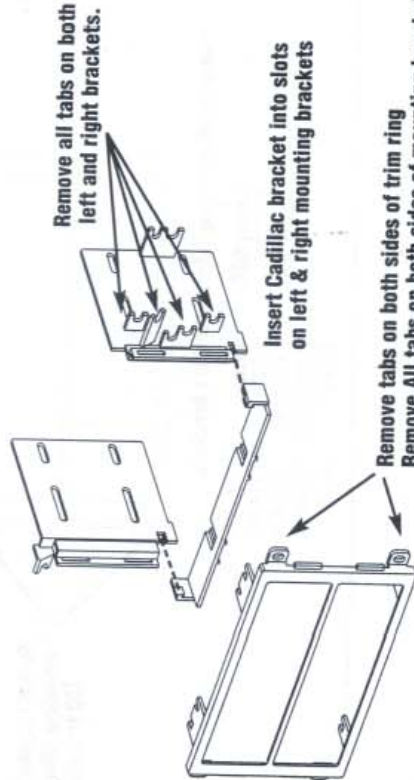
KIT ASSEMBLY



**Remove all mounting tabs on the ISO Trim ring

1992-95 Cadillac Applications

KIT ASSEMBLY



Remove all tabs on both left and right brackets.

Insert Cadillac bracket into slots on left & right mounting brackets

Remove tabs on both sides of trim ring
Remove All tabs on both sides of mounting brackets.

Using 2 nuts & bolts provided with kit, insert 1 bolt into each slot of Cadillac bracket-facing downward as illustrated below



All Double DIN Applications

See bracket preparation for your vehicle

Attach mounting brackets to radio components using screws supplied with kit or radio

Attach trim ring to brackets before tightening radio mounting brackets



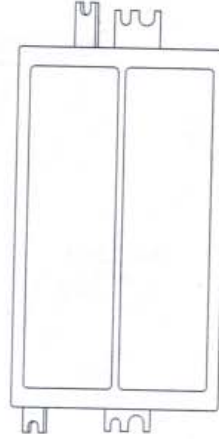
Cut and remove center rib and file sides smooth

2003-04 Pontiac Vibe/Toyota Matrix

DASH DISASSEMBLY INSTRUCTIONS

1. Starting from the bottom of the Radio trim bezel, carefully pry outward on the dash trim bezel to unclip the lower edge and sides.
2. Angle the dash trim bezel outward from the bottom and pull the top of the panel down to unfasten the two upper tabs.
3. Pull the trim bezel forward and disconnect all harnesses attached to the panel and remove panel.
4. Remove the harness clamp attached at the rear of the left factory radio bracket.
5. Remove the (4) 10mm bolts securing the factory radio to the sub-dash.
6. Pull radio forward, disconnect the wire harness and antenna lead and remove radio.

FIG. D



**Remove all mounting tabs on the Side Brackets not shown above.
Remove all mounting Tabs on ISO Trim Ring

Toyota MATRIX
Pontiac VIBE

For kit assembly instructions see Figure E on page 4